



CHAMPION METAL
a Taylor Metal Company

Snap-Loc

STANDING SEAM

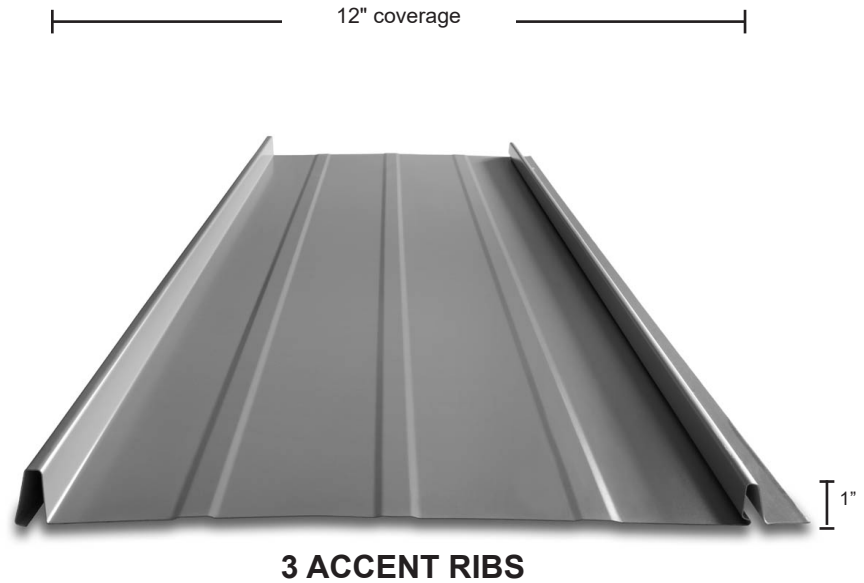


Snap-Loc is one of the most attractive and durable roofing materials available today. It's also noncombustible, meeting the strictest building and fire codes. Snap-Loc's innovative standing seam design is self-locking for a watertight seal. Installation of the Snap-Loc roofing system is a "snap."

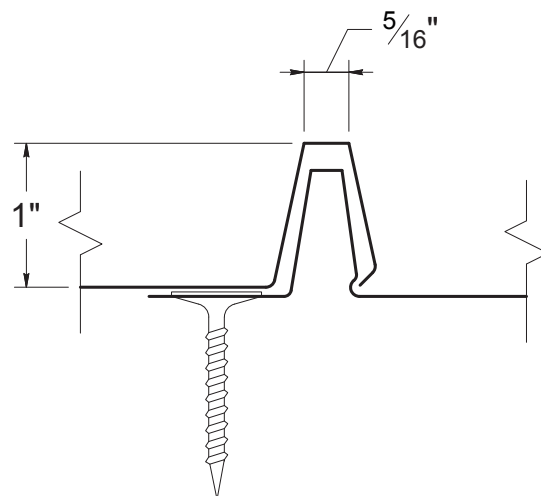
KEY FEATURES

- 12" coverage
- 26 gauge Tru-gauge™
- Span up to 2 feet on center
- Concealed fasteners: fasteners cannot leak
- 1" vertical rib with 5/16" flat top for ease of flashing attachment
- Lightweight, strong and durable
- Easy installation
- Affordable with minimum maintenance
- Panel options: Accent Ribs
- Custom cut lengths from 3' to 40'
- UL 580 Class 90 Wind Uplift rated, UL 790 Class A Fire rated and UL 2218 Class 4 Impact (hail) rated (Snap-Loc carries its UL Classifications under the Easy-Lock™ profile designation)
- 3:12 minimum pitch recommended (For lower pitches, please inquire)
- "Oil Canning" is an inherent characteristic of Roof and Wall products, not a defect, and is not a cause for panel rejection

PANEL PROFILE



LOCK SEAM DETAIL

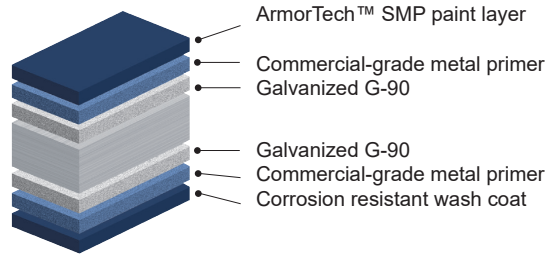


MATERIAL SPECIFICATIONS

- 26 gauge ArmorTech™ Painted Steel
- 26 gauge bare Galvanized (G-90)

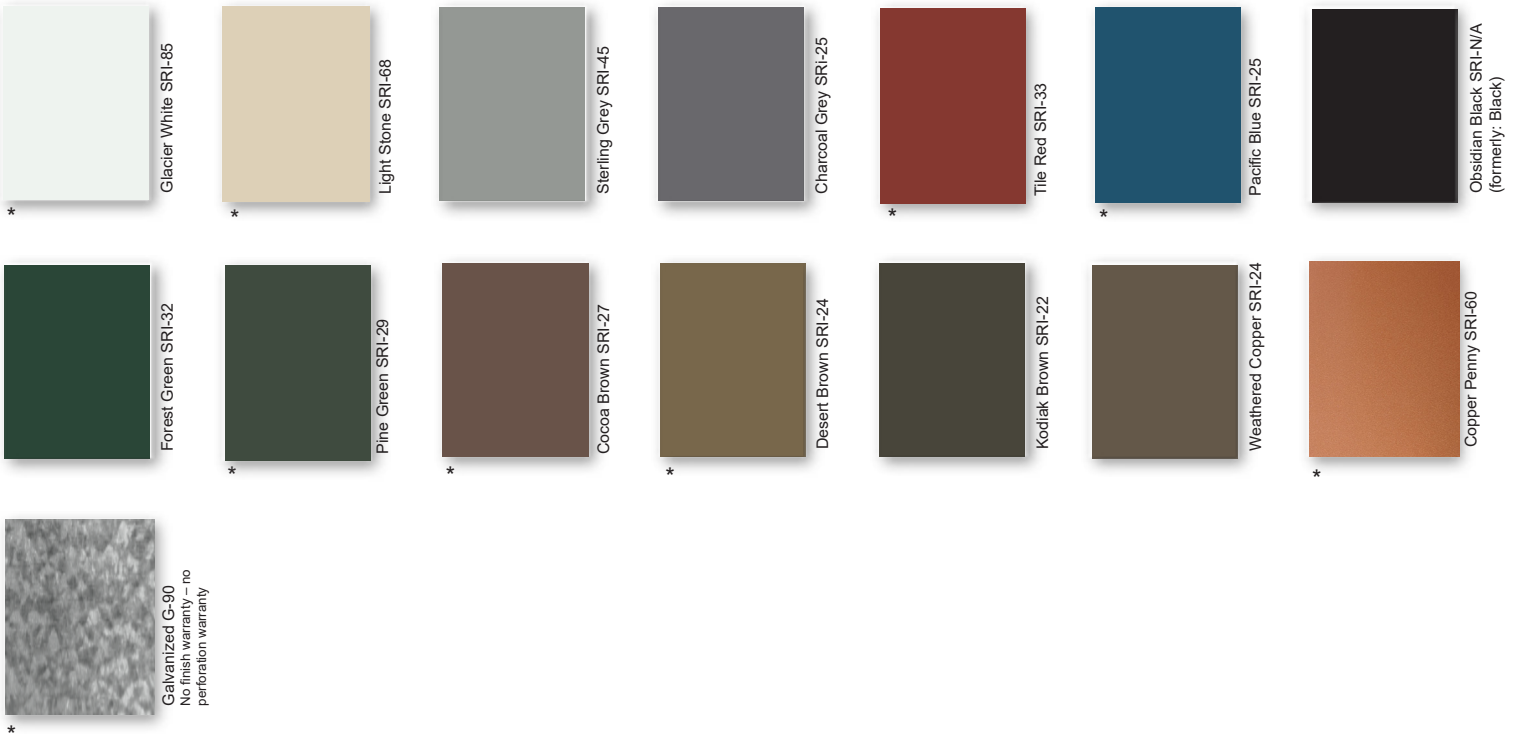
FINISHES

- 14 Standard Colors and Galvanized G-90
- ArmorTech™ Paint System - excellent in exterior durability
- “Cool” color pigments are specially designed to reflect infrared light, reducing heat gain to dwelling, and conform with ENERGY STAR® criteria
- Superior quality, two coat SMP resin system at 1.1 mil. thickness



STANDARD COOL ARMORTECH™ SMP COLORS 40-Year Residential Manufacturer's Limited Warranty

* = please inquire for availability



These printed chips provide a close representation of the colors.

Metal samples are available upon request.

SRI = Solar Reflective Index. SRI values listed above are in accordance with ASTM E 1980 and are based on actual testing.

“Oil canning” is an inherent characteristic of Roof & Wall products, not a defect, and is not a cause for panel rejection.