

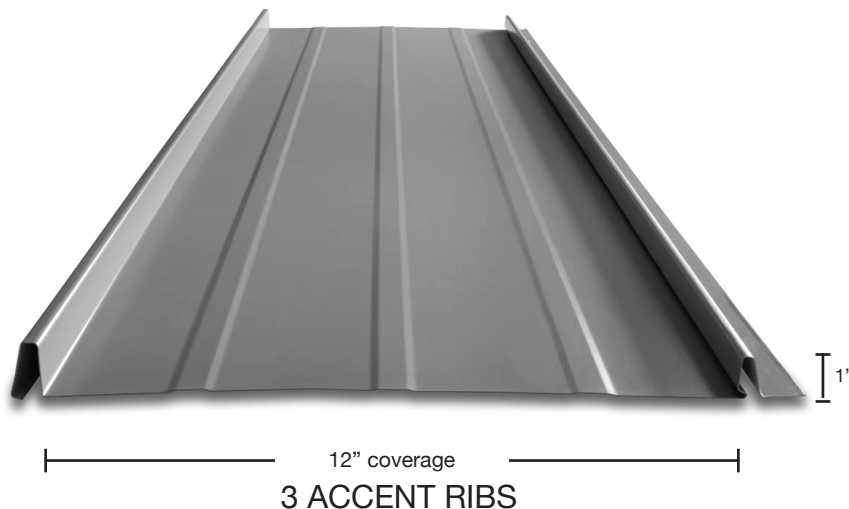


Snap-Loc is one of the most attractive and durable roofing materials available today. It's also noncombustible, meeting the strictest building and fire codes. Snap-Loc's innovative standing seam design is self-locking for a watertight seal. Installation of the Snap-Loc roofing system is a "snap."

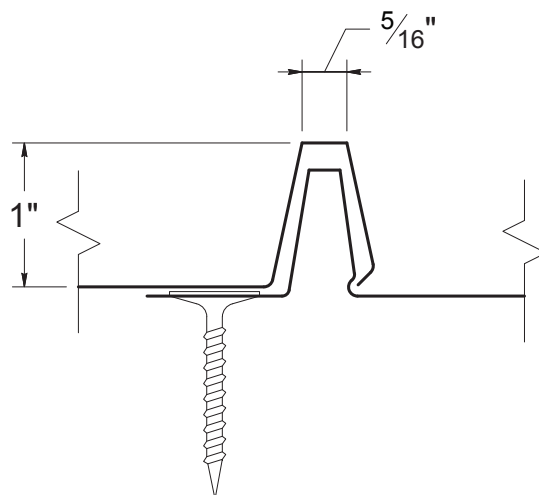
KEY FEATURES

- 12" coverage
- 26 Tru-gauge™
- Span up to 2 feet on center
- Concealed fasteners: fasteners cannot leak
- 1" vertical rib with 5/16" flat top for ease of flashing attachment
- Lightweight, strong and durable
- Easy installation
- Affordable with minimum maintenance
- Panel options: accent ribs
- Custom cut lengths from 2'6" to 40'0"
- Minimum recommended slope 3:12 pitch
For lower pitches, please inquire
- "Oil Canning" is an inherent characteristic of Roof and Wall products, not a defect, and is not a cause for panel rejection

PANEL PROFILE



LOCK SEAM DETAIL

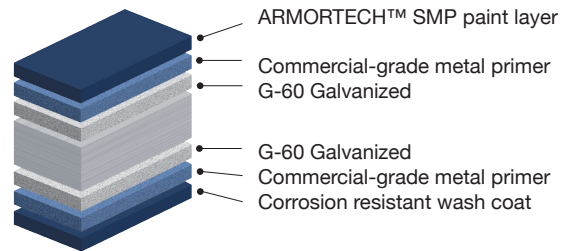


MATERIAL SPECIFICATIONS

- 26 gauge ARMORTECH™ Painted Steel .019" (thickness prior to painting)
- 26 gauge bare Galvanized (G-90)

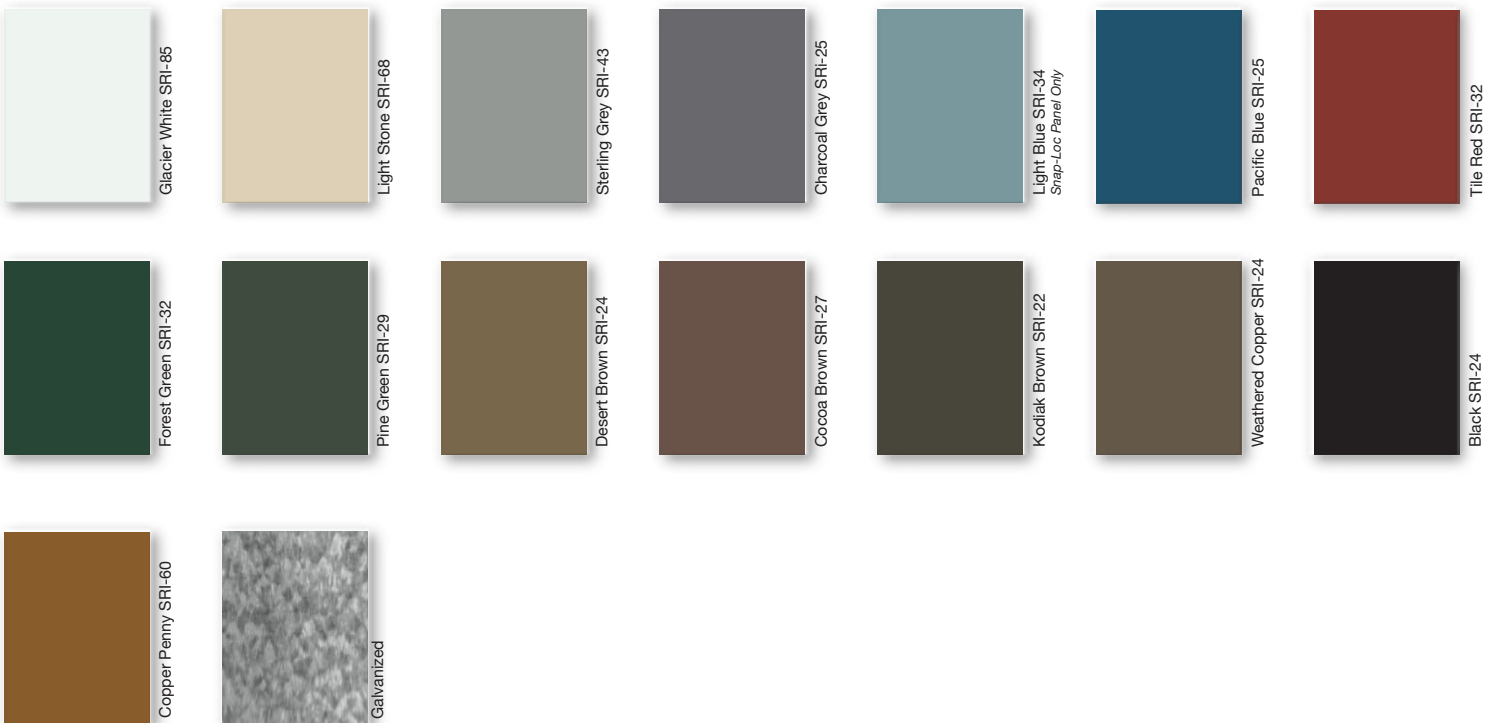
KEY FEATURES

- 15 Standard Colors, 1 Kynar® Color and Galvanized
- ARMORTECH™ Paint System - the ultimate exterior durability
- “Cool” color pigments are specially designed to reflect infrared light, reducing heat gain to dwelling, and conform with ENERGY STAR® criteria
- Superior quality, two coat SMP resin system at 1.1mm thickness



STANDARD COOL ARMORTECH™ SMP COLORS

40-Year Residential Manufacturer's Limited Warranty



Copper Penny is a “Cool” Kynar 500® Premium Metallic Color

These printed chips provide a close representation of the colors.

Metal samples are available upon request.

SRI = Solar Reflective Index. SRI values listed above are in accordance with ASTM E 1980 and are based on actual testing.

“Oil canning” is an inherent characteristic of Roof & Wall products, not a defect, and is not a cause for panel rejection.

