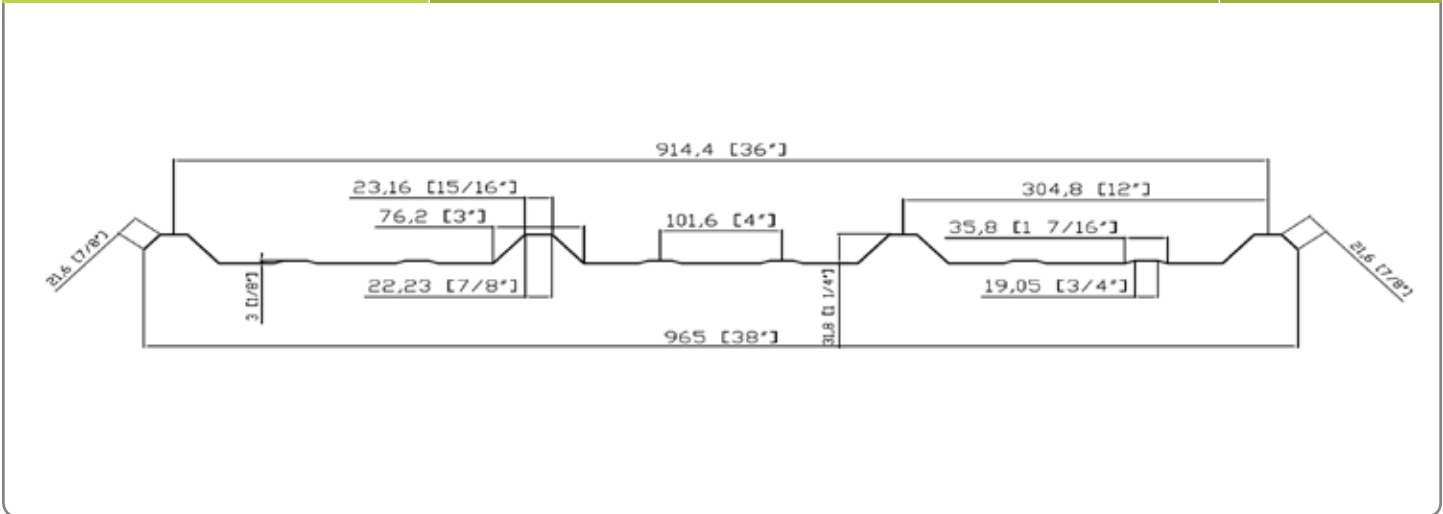


PROFILE IDENTIFICATION AND DETAILED DRAWING

PRODUCT: SUNSKY®	PALRAM PROFILE NAME/DESIGNATION Trapeze 12"/1-1/4" <i>a.k.a. SunSky 12</i>	PROFILE # SunSky 12
----------------------------	-----------------------------------------------------------------------------------------	-------------------------------



PROFILE DIMENSIONS

PROFILE		THICKNESS		LENGTH †		OVERALL WIDTH		NET COVERAGE AFTER OVERLAP		SIDE LAP
mm	inch	mm	inch	m	feet	mm	inch	mm	inch	%
304.8/31.8	12"/1-1/4"	1-1.5	.04"-.06"	1.5-11.8	5'-39'	965	38"	914	36"	5.2

† MAXIMUM RECOMMENDED PANEL LENGTH

m	feet
7	24'

While it is technically possible to manufacture and ship the maximum length listed, Palram does not recommend exceeding the length shown at left in order to avoid significant issues related to thermal expansion and contraction.

MAXIMUM ROOF SPAN (INCHES)

Load (lb/ft ²)	0.4" (1.0 mm) thickness		0.05" (1.2 mm) thickness		0.06" (1.5 mm) thickness	
	End Span	Mid Span	End Span	Mid Span	End Span	Mid Span
15	37	49	40	53	43	57
20	34	45	37	49	40	53
25	31	41	34	45	37	49
30	30	39	31	41	34	45
35	28	37	30	39	32	43
40	27	35	28	37	31	41

NOTES ABOUT MAXIMUM ROOF SPANS

- The specified dimensions do not supersede the requirements of local construction codes.
- The given spans are according to deflections criterion of L/20, and minimum slope of 10%.
- The maximum roof spans are based on calculation model and practical testing.
- The mentioned load refers to wind and snow load only.
- For vertical application spans can be increased by 10%.

Continues on back side

PRODUCT:
SUNSKY®

PALRAM PROFILE NAME (a.k.a. Designation)
Trapeze 12"/1-1/4"

PROFILE #
SunSky 12

FASTENER AND WASHER SPECIFICATION FOR THIS PROFILE

Valley Fixing	Crest Fixing	Side Lap Stitching
Self-drilling 1/4" (6mm) x 1.5" (38mm) screw with 19 mm diameter- galvanized / aluminum / stainless metal washer attached to EPDM rubber gasket of 55 to 65 shore hardness.	Self-drilling 1/4" (6mm) x 2" (51mm) screw with 19 mm diameter- galvanized / aluminum / stainless metal washer attached to EPDM rubber gasket of 55 to 65 shore hardness.	1/4" (6mm) x 1"(25mm) self-tapping screw (Grommet seals) with EPDM seal or 19mm diameter self-tapping screw galvanized / aluminum / stainless metal washer attached to EPDM rubber gasket of 55 to 65 shore hardness.

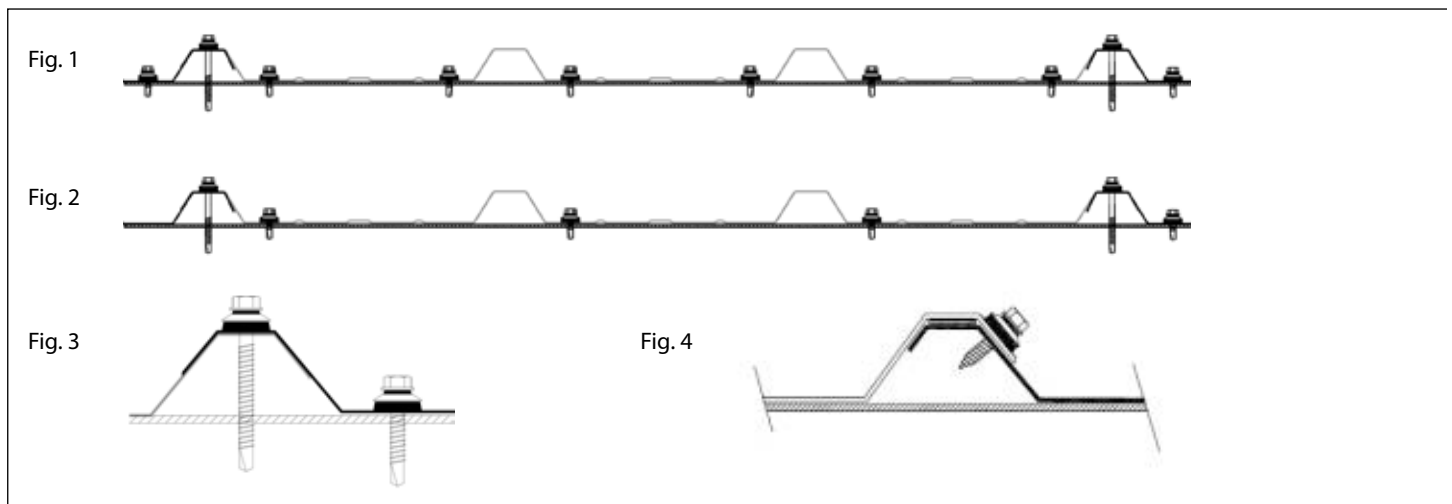
FASTENING

- Apply sealing tape over the SUNSKY panel side-lap corrugation crests, where covered by the next panel.
- Apply sealing tape along the bottom and top end-lap (if there is one), along screw center line or two tapes on both sides of screw center line.
- Pre-drill 3/8" holes where screws are positioned.
- Fasten the screws according to the fastening illustrations below, starting from the first side-lap through, the pre-drilled holes.
- Fasten the Side Lap Stitching Screws or Grommets at every 12-16 inches (Fig. 4).
- Figure 1: End and intermediate Purlin fastening schedule.
- Figure 2: Side Lap Screw at purlin.
- Figure 3: Side Lap Screw through corrugation crown at purlin.
- Figure 4: Side Lap Stitch Screw or Grommet only, in between purlins so that 12-16 inch spacing can be achieved.



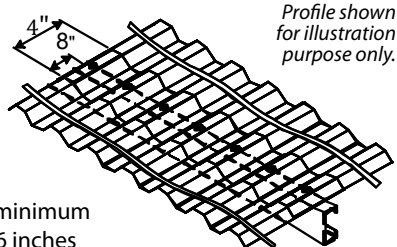
DO NOT OVER-TIGHTEN!
Washers should be perpendicular to purlin, and tightened to the point where they are firmly seated, but not bulging.

FASTENER LOCATIONS FOR THIS PROFILE



PANEL OVERLAP AND OVERHANG

- Recommended longitude overlap of 8" above purlin.
- Each panel to extend 4" over the fixings line on the purlin.
- Panels should overhang a minimum of 2 inches and maximum 6 inches beyond the row of fasteners.



CURVED ROOF APPLICATIONS

- Minimum curving radius 43 feet



In as much as Palram Americas, Inc. has no control over the use to which others may put the material, it does not guarantee that the same results as those described herein will be obtained. Each user of the material should conduct his/her own tests to determine the material's suitability for his own particular use. Statements concerning possible or suggested uses of the materials described herein are not to be construed as constituting a license under any Palram Americas, Inc. patent covering such use or as recommendations for use of such materials in the infringement of any patent. Palram Americas, Inc. or its distributors cannot be held responsible for any losses incurred through incorrect installation of the material. In accordance with our Company policy of continual product development you are advised to check with your local Palram Americas, Inc. supplier to ensure that you have obtained the most up to date information.